

ITEM	PART NO	DESCRIPTION	QTY.
1	7106222	FRAME, BASE WELDMENT SILVER	1
2	7106933	HANDLE, BONNET SERVICE ASSEMBLY WITH LABELS	1
†			
2.1		HANDLE, TUBE PAINTED SILVER	1
†			
2.2	7106597	BONNET SERVICE ASSEMBLY, WITH LABELS	1
†			
2.3		SCREW, 1/4-20 PHILLIPS PAN HEAD ZINC PLATED	2
3	7106939	ENGINE, SERVICE ASSEMBLY WITH LABELS	1
4	7104174	KEY, SHAFT 3/16SQ X 1-1/4	1
¶			
5	7105466	PUMP SERVICE ASSEMBLY, 3000PSI @2.4GPM	1
†			
5.1		PUMP, 3000PSI @2.4GPM	1
†			
5.2		CAP, UNLOADER COVER	1
†			
5.3		BOLT, FLANGE 5/16-18	3
5.4		BOLT, FLANGE 5/16-18	3
†			
6	7106935	WHEEL, SERVICE KIT	2
†			
6.1		WHEEL AND TIRE, 12 X 2	1
†			
6.2		AXLE, STUB .525 X 3.484 ROUND HEAD	1
†			
6.3		SPRING, .875 X .600 WAVE TYPE	1
†			
6.4		CLIP, E-TYPE .500 X 0.042	1
7	7105468	FOOT SERVICE KIT, RUBBER FOOT AND SCREW	2
†			
7.1		FOOT, RUBBER 1.50IN X 1.36IN	1
†			
7.2		SCREW, 1/4-20 TORX PANHEAD	1
8	7104570	HARDWARE KIT, HANDLE MOUNTING	2
†			
8.1		BOLT, SADDLE 5/16-18 X 2.00"	1
†			
8.2		NUT, HAND TIGHT 5/16-18	1
9	7103776	HARDWARE KIT, ENGINE MOUNT	1
†			
9.1		BOLT, FLANGE 5/16-18	3
†			
9.2		NUT, WHIZ 5/16-18	3
10	7100389	GROMMET, 7/16" RUBBER	1
11	7104044	NOZZLE SET, 2.75 4PC	1
12	7107010	SCOOP, TRIMMED AND SLOTTED WITH LABEL	1
13	7104847	GUN, 3000PSI M229M) M22(F)	1
14	7103550	LANCE, 16IN 1/4QC M22(M)	1
15	7102768	HOSE, 3000PSI 1/4 X 25FT	1
16	7102037	SOAP HOSE AND FILTER KIT	1
17	7102045	TOOL, NOZZLE CLEANING UNIVERSAL	1
*			
18	7105805	MANUAL, BDX2700/BDX3100 SPECIFIC	1
*			
19	7105804	BOX, SHIPPING BDX2700 SPECIFIC	1

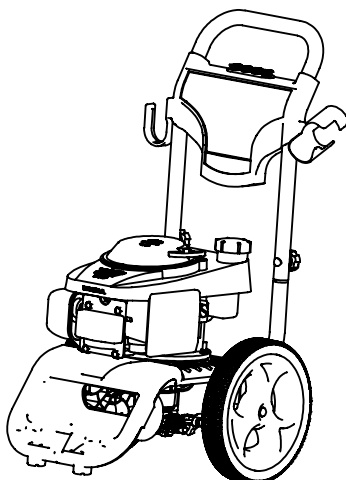
* NOT SHOWN

† NOT SOLD SEPARATELY



PUMP IDENTIFICATION TABLE

MACHINE SERIAL NO.	PUMP TYPE	PUMP KIT NO.	PUMP PART NO.
472215 TO PRESENT	3000PSI@2.4GPM	7105466	510003



ONLY THE LATEST VERSION OF THE PUMP IS AVAILABLE FOR REPLACEMENT

	NAME	DATE
DRAWN	MAV	6/14/20113
CHECKED	M.G.	6/12/2013
ENG APPR.	JEW	6/14/2013
MFG APPR.		
Q.A. APPR.	JCP	6/12/2013
SERVICE APPR.	D.H.	6/12/2013

FNA-GROUP

1265 INDUSTRIAL STREET, DECATUR, AR 72722

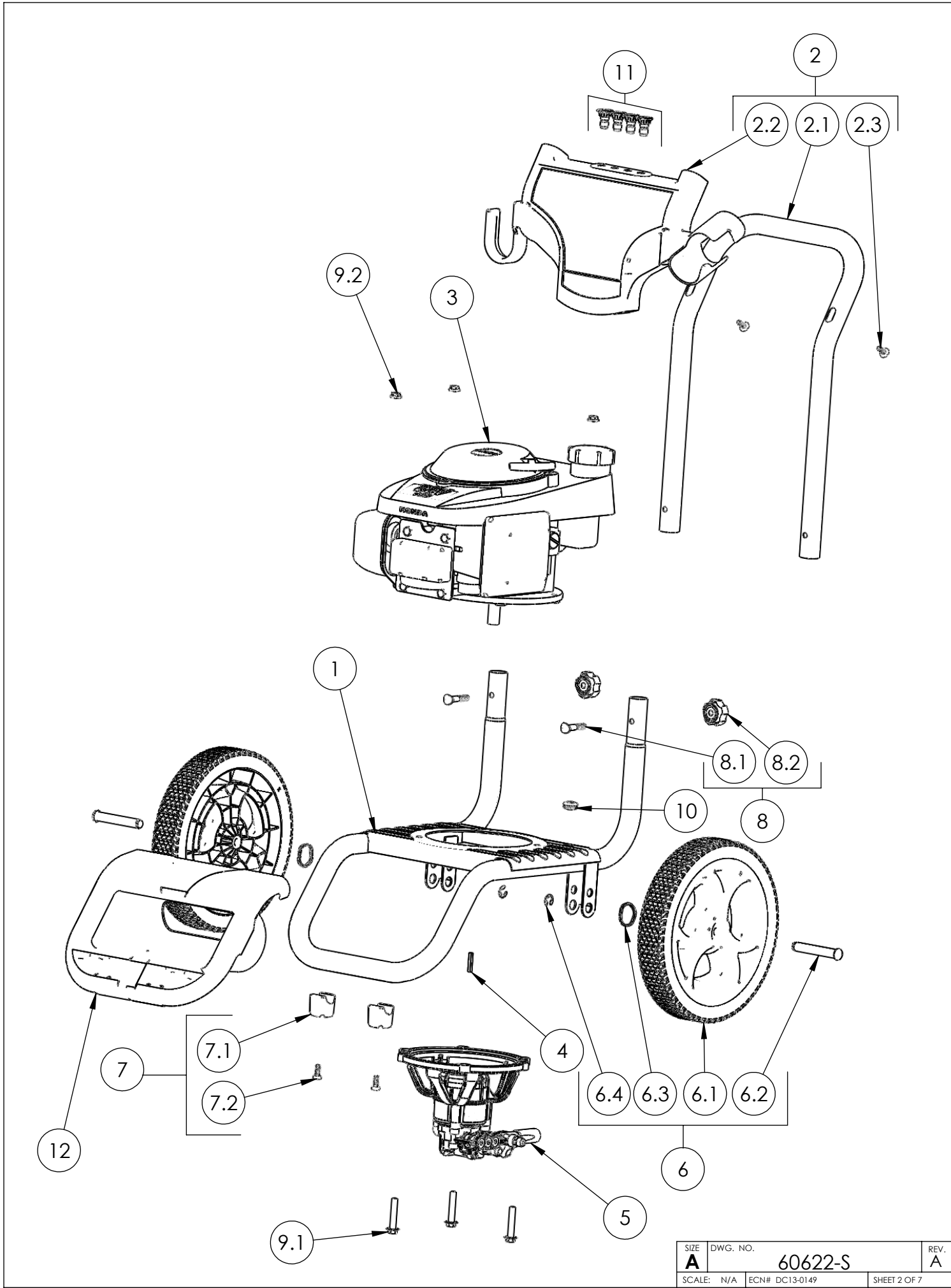
TITLE:

BDX2700

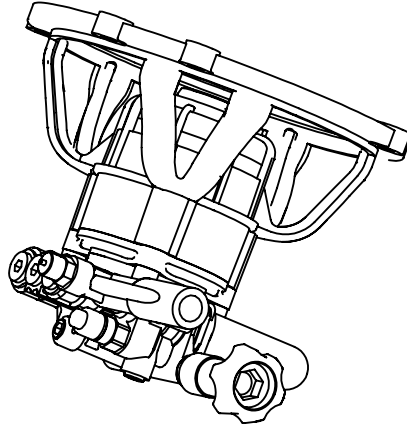
PROPRIETARY AND CONFIDENTIAL

THE INFORMATION CONTAINED IN THIS DRAWING IS THE SOLE PROPERTY OF FNA-GROUP. ANY REPRODUCTION IN PART OR AS A WHOLE WITHOUT THE WRITTEN PERMISSION OF FNA-GROUP IS PROHIBITED.

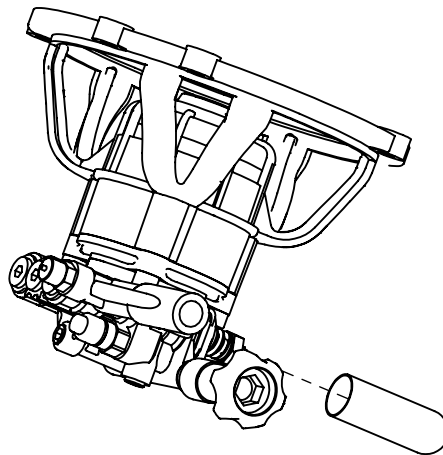
SIZE	DWG. NO.	REV.
A	60622-S	A
SCALE: N/A	ECN# DC13-0149	SHEET 1 OF 7



SIZE	DWG. NO.	REV.
A	60622-S	A
SCALE: N/A	ECN# DC13-0149	SHEET 2 OF 7



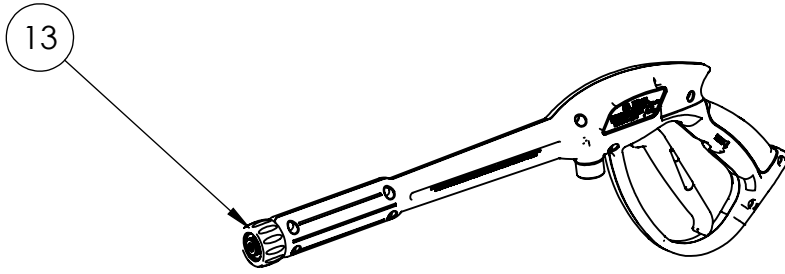
PUMP, SERVICE ASSEMBLY
PART NO. 7105466



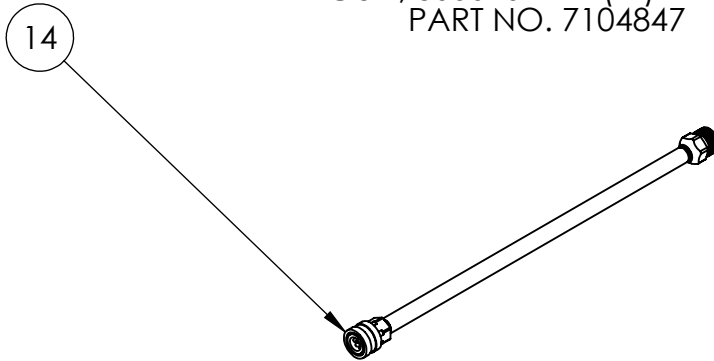
ITEM	PART NO	DESCRIPTION	QTY.
5.1	510003	CAP, UNLOADER COVER	1
5.2		CAP, UNLOADER COVER	1
5.3		BOLT, FLANGE 5/16-18	3
5.4		BOLT, FLANGE 5/16-18	3
4	7104174	KEY, SHAFT 3/16SQ X 1-1/4	1

*
*
*

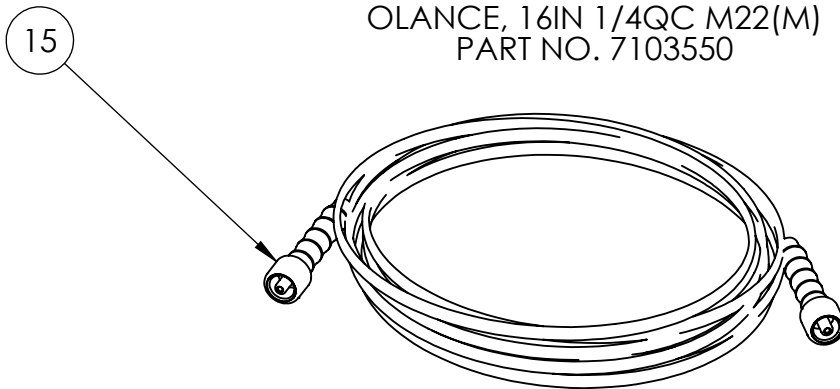
* NOT SHOWN



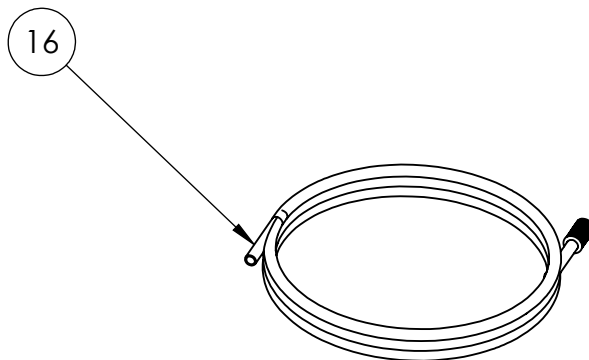
GUN, 3000PSI M22(M) M22(F)
PART NO. 7104847



OLANCE, 16IN 1/4QC M22(M)
PART NO. 7103550

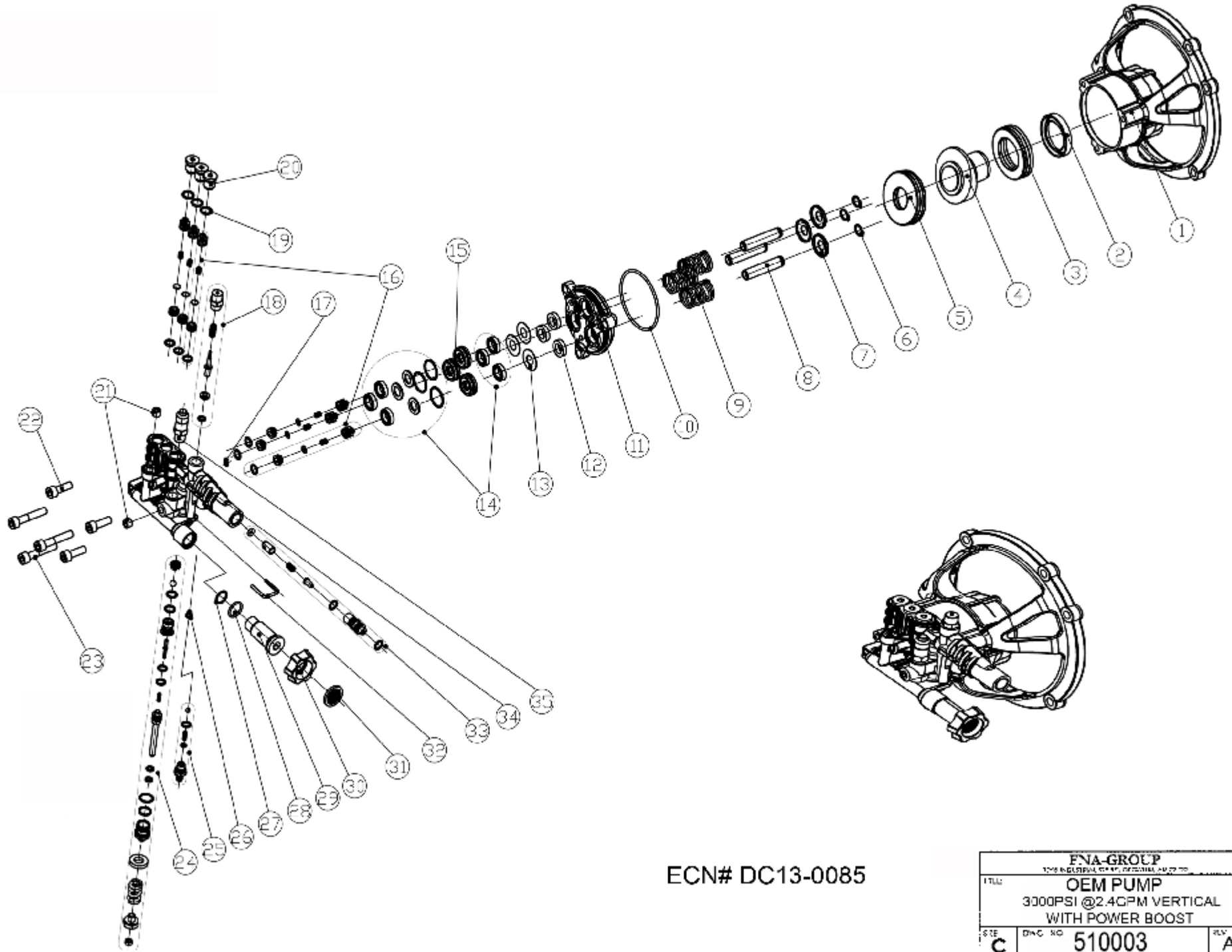


HOSE, 3000PSI 1/4 X 25FT
PART NO. 7102768



SOAP HOSE AND FILTER
PART NO. 7102037

SIZE A	DWG. NO. 60622-S	REV. A
SCALE: N/A	ECN# DC13-0149	SHEET 4 OF 7



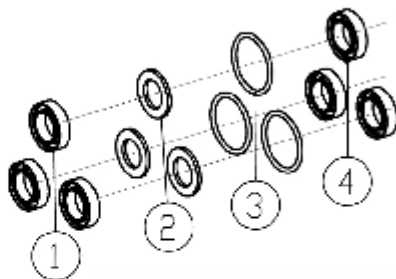
ECN# DC13-0085

FNA-GROUP			
<small>1700 INDUSTRIAL DRIVE, CLEVELAND, OH 44115</small>			
ITEM: OEM PUMP			
3000PSI @2.4GPM VERTICAL			
WITH POWER BOOST			
<small>SIZE</small>	<small>DWG NO</small>	510003	<small>REV</small>
C			A
<small>INCHES</small>		<small>SCALE: 1:1</small>	<small>SHEET: 1 OF 3</small>



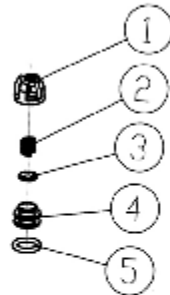
12 PART NO. 7105741

OIL SEAL KIT		
ITEM	QTY	DESCRIPTION
1	3	SEAL, OIL



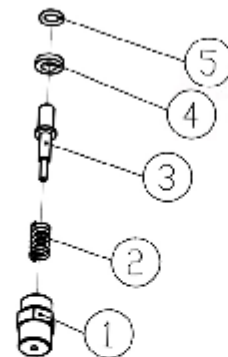
14 PART NO. 7106627

WATER SEAL KIT		
ITEM	QTY	DESCRIPTION
1	3	HIGH PRESSURE SEAL
2	3	BACK RING
3	3	O-RING
4	3	LOW PRESSURE SEAL



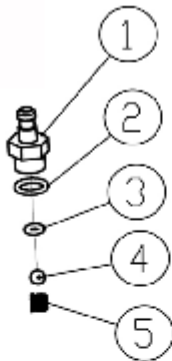
16 PART NO. 7104223

VALVE KIT		
ITEM	QTY	DESCRIPTION
1	6	VALVE CASE
2	6	SPRING
3	6	VALVE PLATE
4	6	VALVE SEAT
5	6	O-RING



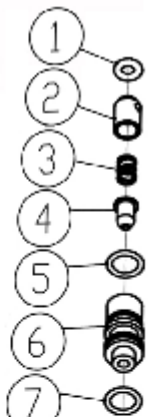
18 PART NO. 7106628

BOOST VALVE KIT		
ITEM	QTY	DESCRIPTION
1	1	VALVE CASE
2	1	VALVE SPRING
3	1	VALVE POLE
4	1	VALVE PLATE
5	1	O-RING



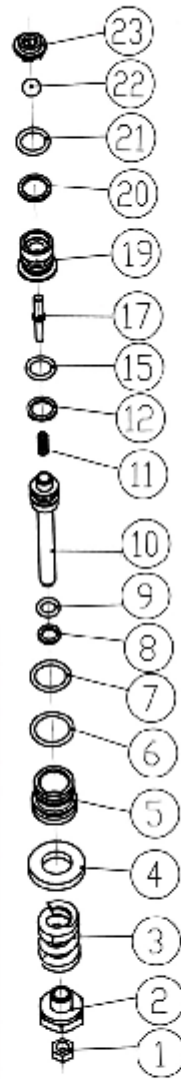
25 PART NO. 7104228

SOAP INJECTOR KIT		
ITEM	QTY	DESCRIPTION
1	1	HOSE BARB
2	1	O-RING
3	1	O-RING
4	1	STEEL BALL
5	1	SPRING



33 PART NO. 7106630

VENTURI TUBE KIT		
ITEM	QTY	DESCRIPTION
1	1	O-RING
2	1	CHECK VALVE CORE
3	1	CHECK VALVE SPRING
4	1	NOZZLE
5	1	O-RING
6	1	VENTURI TUBE
7	1	O-RING



24 PART NO. 7104228

UNLOADER KIT		
ITEM	QTY	DESCRIPTION
1	1	NUT
2	1	ADJUSTING NUT
3	1	SPRING
4	1	SEATING RING
5	1	VALVE SHEATH
6	1	O-RING
7	1	O-RING
8	1	CHECKING RING
9	1	O-RING
10	1	VALVE POLE
11	1	SPRING
12	1	CHECKING RING
13	1	O-RING
17	1	PIN
19	1	UPPER SEAT
20	1	CHECKING RING
21	1	O-RING
22	1	STEEL BALL
23	1	BACK SEAT

ECN# DC13-0085

FNA-GROUP
1700 INDUSTRIAL PARK COVINGTON, LA 70022

ITEM: **OEM PUMP**
 3000PSI @ 7.4GPM VERTICAL
 WITH POWER BOOST

SIZE: **C** DWG. NO.: **510003** REV: **A**

SCALE: 1:1 SHEET: 2 OF 3

510003 PUMP EXPLOSION DRAWING PARTS LIST

ITEM	PART NO.	PART NAME	QTY PER PUMP	COMMENT
1	7106631	Case	1	
2	7106632	Oil seal	1	
3	7106633	Thrusting Bearing 2	1	
4	7106634	Wobble Plate	1	
5	7106635	Thrusting Bearing 1	1	
6	7106636	Clip	3	
7	7106637	Spring Base	3	
8	7106638	Plunger	3	
9	7106639	Spring	3	
10	7106640	O-Ring	1	
11	7106641	Plunger Base	1	
12	7106741	Oil Seal	3	Oil Seal Kit
13	7106642	Back Ring	3	
14	7106627	High Pressure Water Seal Back Ring O-Ring Low Pressure Water Seal	3	Water Seal Kit
15	7106643	Back Ring	3	
16	7104223	Valve Case Spring Valve Plate Valve Seat O-Ring	6	Valve Kit (INLET AND OUTLET)
17	7106644	O-Ring	1	
18	7106628	Boost Valve Case Boost Valve Spring Boost Valve Plate Boost Valve Plate O-Ring	1	Boost Valve Kit
19	7106645	O-Ring	3	
20	7106646	Plug	3	
21	7106647	Plug	2	
22	7106648	Screw	3	
23	7106649	Screw	3	

510003 PUMP EXPLOSION DRAWING PARTS LIST

ITEM	PART NO.	PART NAME	QTY PER PUMP	COMMENT
24	7104225	Nut	1	Unloader Kit
		Adjusting Nut		
		Spring		
		Sealing Ring		
		Valve Sheath		
		O-Ring		
		O-Ring		
		Checking Ring		
		O-Ring		
		Valve Pole		
		Spring		
		Checking Ring		
		O-Ring		
		Pin		
Upper Seat				
Checking Ring				
O-Ring				
Steel Ball				
Back Seat				
25	7104226	Nozzle	1	Soap Injector Kit
		O-Ring		
		O-Ring		
		Steel Ball		
Spring				
26	7106650	Venturi Tube Back Ring	1	
27	7106651	O-Ring	1	
28	7106652	O-Ring	1	
29	7106653	Inlet Connector	1	
30	7106654	Nut	1	
31	700123	Filter Gasket	1	
32	7106655	U-Pin	1	
33	7106630	O-Ring	1	Venturi Tube Kit
		Checking Valve Core		
		Checking Valve Spring		
		Nozzle		
		O-Ring		
Venturi Tube				
O-Ring				
34	7106656	Pump Head	1	
35	7101350	Thermal Relief Valve	1	

ECN# DC13-0085

FNA-GROUP <small>INDUSTRIAL PUMP COMPANY, INC.</small>		
OEM PUMP 3000PSI @ 7 GPM VERTICAL WITH POWER BOOST		
SIZE C	DWG. NO. 510003	REV A
SHEET: 3 OF 3		REV: 11